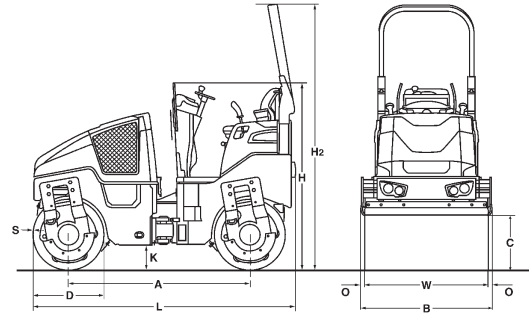


Technical Data

BW 100 SL-5, BW 120 SL-5

Shipping dimensions in ft³ (m³)

BW 100 SL-5	247 (7)
BW 120 SL-5	293 (8.3)



Standard Equipment

- Foldable ROPS with seat belt
- Hydrostatic travel and vibration drive
- Pressure sprinkler system with interval switch
- Suspended operator's platform
- 2 scrapers per drum, spring loaded and tiltable
- Multi-function travel lever
- Multi-function display incl. operating hour meter
- Water level
- Fuel level
- Electric fuel gauge
- Emergency STOP
- Individual control, vibration
- Intelligent Vibration Control (IVC)
- Integrated stowage compartment
- Adjustable operator's seat
- Lashing eyes, galvanized
- Back-up alarm
- Single point lifting device
- V-belt protection
- Vandalism protection
- Lockable engine hood made of composite material
- Working lights front and rear
- 12V socket
- Seat contact switch
- Plastic water tank
- Bolt-on oscillating/articulating joint

Optional Equipment

- Indicator and hazard lights
- Rotary beacon
- Battery disconnection switch
- Sliding seat
- ECONOMIZER
- Burglary protection
- Special paint

Dimensions in inches (mm)

	A	B	C	D	H	H2	K	L	O	S	W
BW 100 SL-5	69 (1752)	42 (1072)	20.6 (523)	27.6 (700)	71.2 (1808)	101 (2568)	10 (254)	99.6 (2529)	1.4 (36)	0.4 (10)	39.4 (1000)
BW 120 SL-5	69 (1752)	50 (1272)	20.6 (523)	27.6 (700)	71.2 (1808)	101 (2568)	10 (254)	99.6 (2529)	1.4 (36)	0.4 (10)	47.2 (1200)

Technical data

Weights

Operating weight w. ROPS	lb (kg)
Average static linear load	lb/in (kg/cm)

BOMAG BW 100 SL-5

5181 (2350)
66.1 (11.8)

BOMAG BW 120 SL-5

5511 (2500)
58.2 (10.4)

Driving Characteristics

Speed	mph (km/h)
Working speed with vibration	mph (km/h)
Max. gradeability without/with vibr.	%

0 – 5.6 (0 – 9)
0 – 3.1 (0 – 5)
40 / 30

0 – 5.6 (0 – 9)
0 – 3.1 (0 – 5)
40 / 30

Drive

Engine manufacturer	Type	Tier Compliance	Cooling	Number of cylinders	Performance ISO 14396	Performance SAE J 1995	Speed	Electric equipment	Driven drum
---------------------	------	-----------------	---------	---------------------	-----------------------	------------------------	-------	--------------------	-------------

Kubota	D 1703-DI	Tier 4 Final	water	3	18.5	25	2200	12	front + rear
--------	-----------	--------------	-------	---	------	----	------	----	--------------

Kubota	D 1703-DI	Tier 4 Final	water	3	18.5	25	2200	12	front + rear
--------	-----------	--------------	-------	---	------	----	------	----	--------------

Brakes

Service brake	Parking brake	Steering	Steering system	Steering method	Steering / oscillating angle +/-	Crab steer offset – manual	Track radius, inner
---------------	---------------	----------	-----------------	-----------------	----------------------------------	----------------------------	---------------------

hydrost.	hydromec.		oscil.artic.	hydrost.	32 / 10	0 – 2 (0 – 50)	96.5 (2450)
----------	-----------	--	--------------	----------	---------	----------------	-------------

hydrost.	hydromec.		oscil.artic.	hydrost.	32 / 10	0 – 2 (0 – 50)	96.5 (2450)
----------	-----------	--	--------------	----------	---------	----------------	-------------

Exciter System

Vibrating drum	Drive system	Frequency	Amplitude	Centrifugal force
----------------	--------------	-----------	-----------	-------------------

front + rear	hydrost.	4320 (72)	0.020 (0.50)	7640 (34)
--------------	----------	-----------	--------------	-----------

front + rear	hydrost.	4320 (72)	0.020 (0.50)	8993 (40)
--------------	----------	-----------	--------------	-----------

Drum Water Spray System

Type

pressure with interval

pressure with interval

Capacities

Fuel	Water
------	-------

9.2 (35)	43.6 (165)
----------	------------

9.2 (35)	43.6 (165)
----------	------------

Technical modifications reserved. Machines may be shown with options.



BOMAG Americas, Inc.
125 Blue Granite Parkway
Ridgeway, SC 29130 • Tel: 803 337-0700